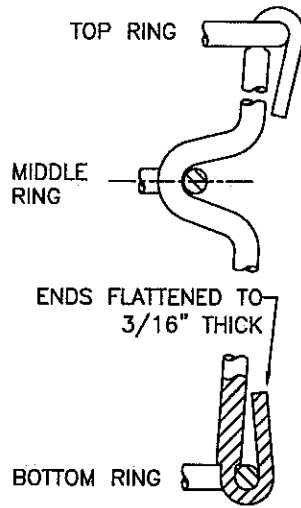
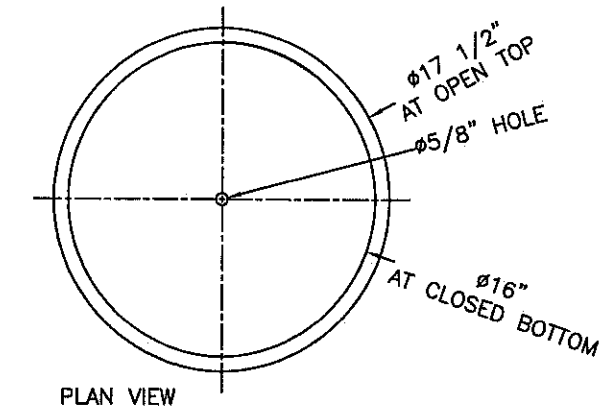


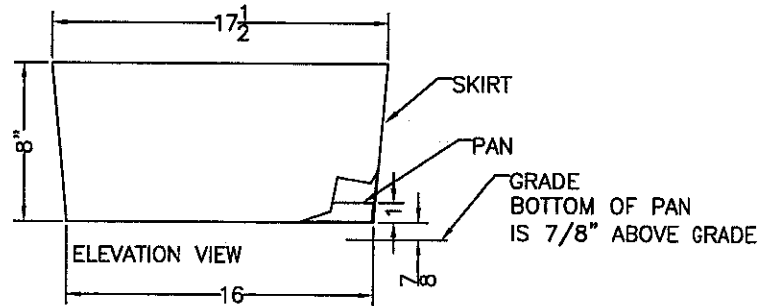
PLAN VIEW OF WIRE BASKET
HORIZONTAL 1/8" DIAMETER RODS
NOT SHOWN FOR CLARITY



DETAIL A-A OF VERTICAL
5/16" DIAMETER STEEL
MAIN FRAME
8 PIECES IN EACH
WASTE BASKET



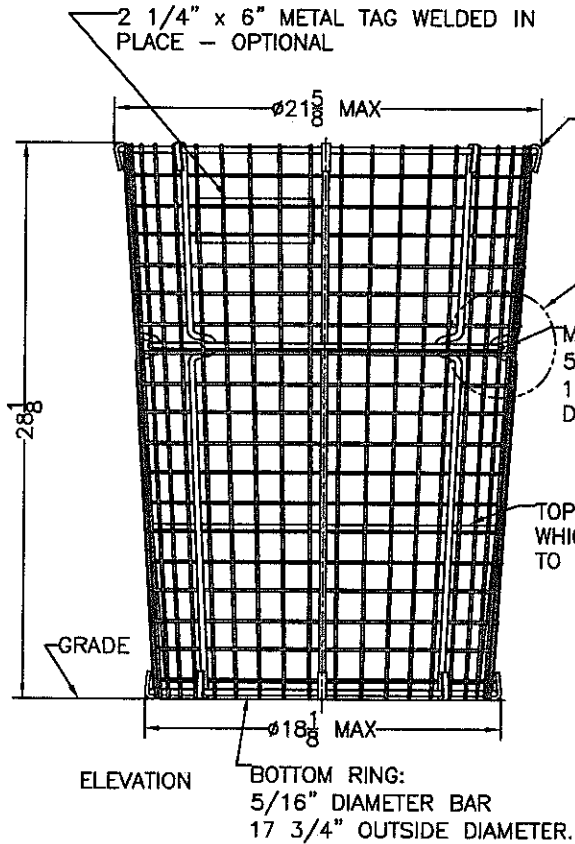
PLAN VIEW



ELEVATION VIEW

BUCKET
~0.045 THICK STEEL
2 PARTS: PAN & SKIRT
SKIRT OVERLAPS SIDE
OF PAN. SPOT WELD
TOGETHER

CONSTRUCTION NOTE:
WELD 1/8" VERTICAL
BARS TO OUTSIDE OF
BUCKET AT INTERVALS



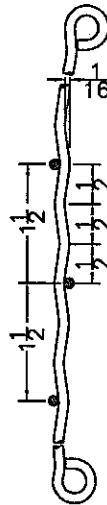
ELEVATION

TOP RING:
5/16 DIAMETER BAR
21 1/4" OUTSIDE
DIAMETER.

MIDDLE RING:
5/16 DIAMETER BAR
18 1/8" OUTSIDE
DIAMETER.

TOP OF BUCKET
WHICH IS WELDED
TO WIRE FRAME

BOTTOM RING:
5/16" DIAMETER BAR
17 3/4" OUTSIDE DIAMETER.



DETAIL OF VERTICAL
1/8" DIAMETER STEEL
BAR WEAVE
40 VERTICAL PIECES AND
18 HORIZONTAL PIECES IN
EACH WASTE BASKET

ALL DIMENSIONS GIVEN AS INCHES

FINISH: GALVANIZED

KENNETH LYNCH & SONS

114 WILLENBROCK ROAD
OXFORD CT 06478
203-264-2831
FAX 203-264-2833

#95-B WIRE WASTE BASKET

Scale: FAX	Date: 9/22/04	Drawn: S.L.A.
Ø21 5/8 X 28 1/8		Rev: 4/2/09
		Rev: 4/9/09
MAT'L: STEEL	#95-B WIRE WASTEBASKET FX	